

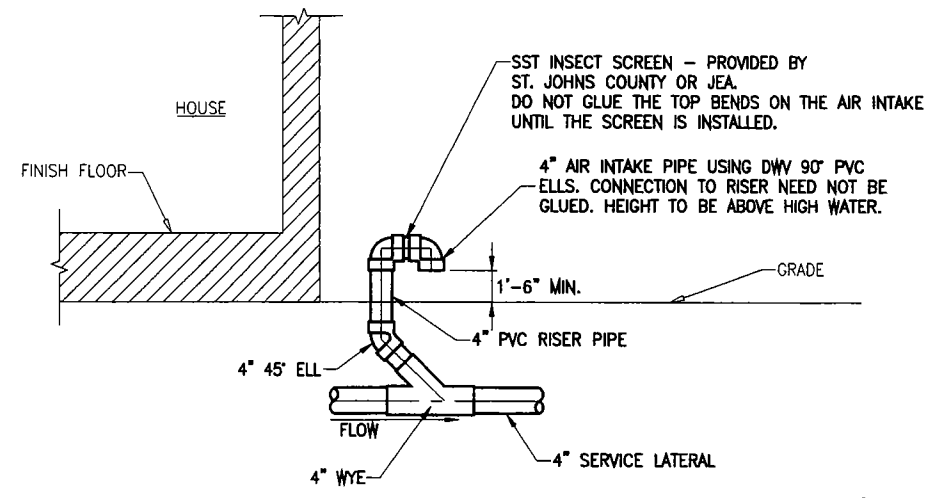
**SCHEMATIC SITE PLAN**  
SCALE : N.T.S.

**NOTES**

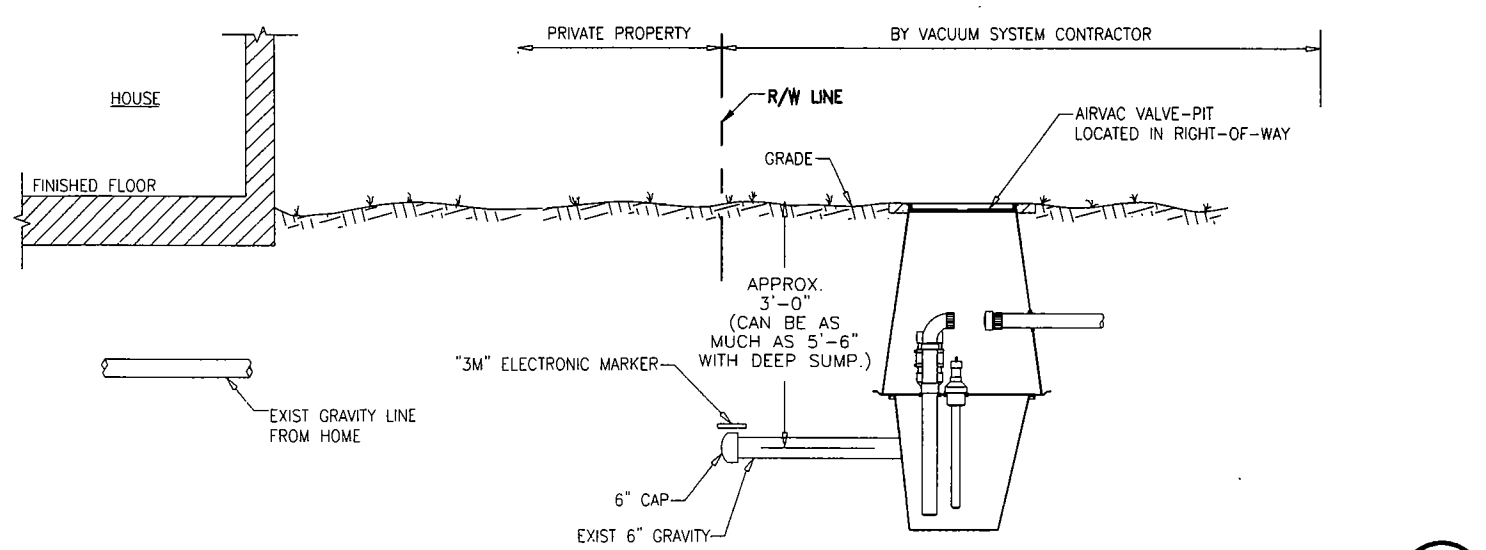
- 1) BUILDING SEWER PIPE SHALL BE A MINIMUM OF 4" AND SHALL BE INSTALLED IN ACCORDANCE WITH TABLE 702.4-"BUILDING SEWER PIPE" OF THE FLORIDA BUILDING CODE (LATEST EDITION).
- 2) THE SERVICE CONNECTION FOR THE NEW BUILDING SEWER PIPE SHALL BE AT OR NEAR THE EXISTING CLEANOUT ADJACENT TO THE BUILDING BEING SERVED.
- 3) THE AIR INTAKE PIPE SHALL BE CONSTRUCTED PER DETAIL #700 & #702.  
**HOMES W/ ONE SERVICE CONNECTION AT HOUSE:**  
THE AIR INTAKE SHALL BE LOCATED PER THE HOME OWNER'S REQUEST WITHIN THE AREA BETWEEN THE POINT OF CONNECTION TO THE VACUUM PIT AND THE HOME.  
**HOMES W/ TWO OR MORE SERVICE CONNECTIONS AT HOUSE:**  
THE AIR INTAKE SHALL BE LOCATED PER THE HOME OWNERS REQUEST WITHIN THE AREA BETWEEN THE POINT OF CONNECTION TO THE VACUUM PIT AND POINT "Y" INDICATED ON THE SITE DRAWING OF THIS SHEET FOR HOMES WITH TWO SERVICE LATERALS CONVERGING TO ONE VACUUM PIT. IF THE AIR INTAKE IS TO BE INSTALLED ON THE HOUSE SIDE OF THE "Y", THEN AN AIR INTAKE MUST BE INSTALLED ON EACH BRANCH (AS SHOWN ON THIS SITE PLAN).  
**INSTALLATION OF AIR INTAKE:**  
OFFSET FROM MAIN LINE MUST BE AT A 45° ANGLE UP FROM THE MAIN.
- 4) SEWER PIPE CLEANOUTS SHALL BE INSTALLED IN ACCORDANCE WITH SECTION 708-"CLEANOUTS" OF THE FLORIDA BUILDING CODE (LATEST EDITION).
- 5) ONE 6" SDR-21 CONNECTION IS PROVIDED TO EACH HOME. THE 6" CONNECTION BURIAL DEPTH VARIES FROM 3'-0" TO 5'-6".
- 6) BUILDING SEWER SHALL HAVE A MIN. SLOPE OF 1/8" PER FOOT IN ACCORDANCE WITH SECTION 704-"DRAINAGE PIPING INSTALLATION" OF THE FLORIDA BUILDING CODE (LATEST EDITION). THE SIZE OF THE SEWER/DRAINAGE PIPE SHALL NOT BE REDUCED IN SIZE IN THE DIRECTION OF THE FLOW.
- 7) ALL PIPING JOINTS SHALL BE IN ACCORDANCE WITH THE SPECIFIC PIPE UTILIZED AND WITH SECTION 705-"JOINTS" OF THE FLORIDA BUILDING CODE (LATEST EDITION). NO FERNOCO TYPE FITTINGS SHALL BE USED ON THE SERVICE LINE.
- 8) ALL BUILDING SEWER PIPE SHALL BE FLUSHED AND CLEANED OF ALL DEBRIS AND SAND PRIOR TO CONNECTING TO THE SEWER LATERAL EXTENDING FROM THE VACUUM PIT.
- 9) ALL CLEANOUT LIDS SHALL HAVE FLUSH OR RECESSED PLUGS.
- 10) THE EXCAVATION FOR THE CONSTRUCTION OF THE SANITARY LINE CAN NOT BE DEWATERED THROUGH THE VACUUM SYSTEM.
- 11) BUILDING SEWER PIPE SHALL BE SDR-21 OR SCHEDULE 40 PVC.

**SPECIAL INSTRUCTIONS**

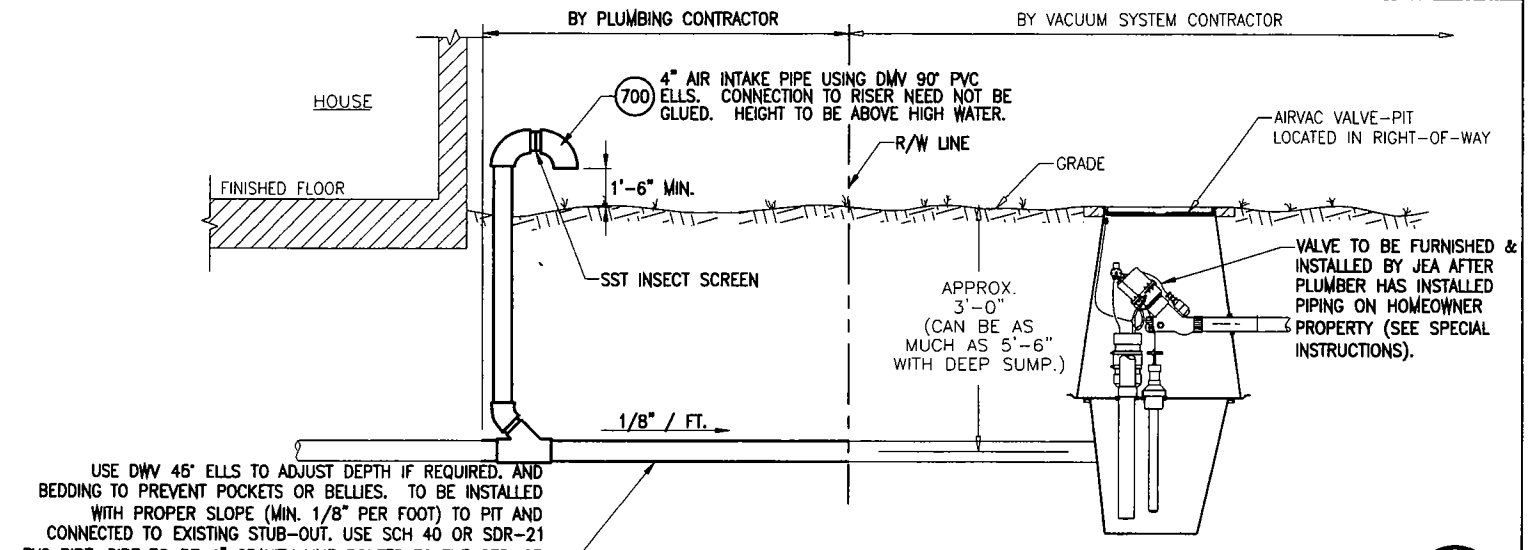
BE SURE TO OBTAIN AND FOLLOW THE 2-PAGE HANDOUT TITLED, INSTRUCTIONS FOR CONNECTION TO THE VACUUM SEWER SYSTEM, PONTE VEDRA MUNICIPAL SERVICE DISTRICT, JUNE 27, 2005. THIS HANDOUT IS AVAILABLE AT THE ST. JOHNS COUNTY BUILDING DEPARTMENT (4020 LEWIS SPEEDWAY, ST. AUGUSTINE, FL. 32085), THE PONTE VEDRA ANNEX (5430 PALM VALLEY ROAD, PONTE VEDRA BEACH, FL. 32082), OR BY ACCESSING <http://construction.jea.com/community/communityinterest.asp>. THIS HANDOUT CONTAINS IMPORTANT GUIDELINES THAT MUST BE FOLLOWED FOR A SUCCESSFUL CONNECTION.



**AIR INTAKE PIPE** 700



**VALVE PIT PRIOR TO HOME HOOK-UP (BY PLUMBER)** 701



**VALVE PIT AFTER HOME HOOK-UP (BY PLUMBER)** 702

2:\PLUMBING SPECIFICATIONS.dwg Current Layout Tab = Layout1 Mon Jun 27, 2005 - 11:49

<b>ECKLER ENGINEERING, INC.</b> 4700 RIVERSIDE DRIVE, SUITE 110 - CORAL SPRINGS, FL. 33067 (954) 510-4700 - EB No. 7803	<b>Callaway Contracting, Inc.</b> General Contractors Underground Utility Contractors 10960 New Berlin Road Jacksonville, FL 32226	NO.	BY	DATE	SYMBOL	REVISIONS	DESIGNER: D. K. HAMANN	DESIGN ENGINEER: DONALD A. ECKLER, P.E.		PROJECT NO. SEWER: JPS-058-03	<b>SERVICE LATERAL CONNECTION PLAN ISOMETRIC AND SPECIFICATIONS</b>	NO. SHEETS: -
								DATE: AUGUST 11, 2004		FLORIDA REGISTRATION NO.: 18934		SCALE: HOR 1"=20'